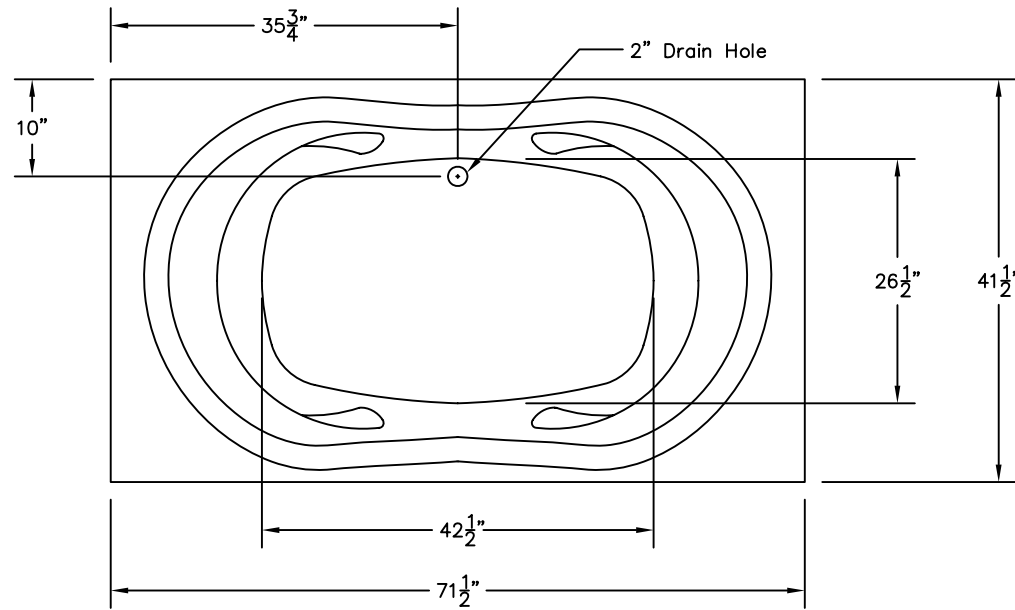
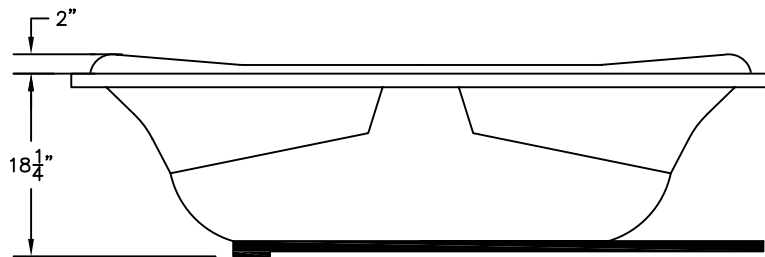


WEIGHT: 182 LBS.
CAPACITY: 65 GALLONS
NOTE: Not to Scale. All dimensions are based
on manufacturers and industry standards
of $\pm 3/8$ inch.

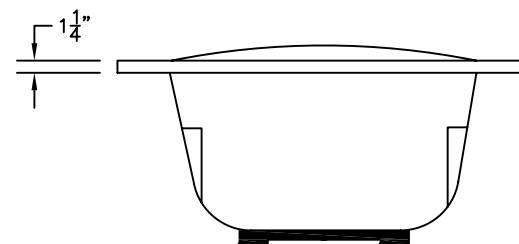
UPDATED: 11/06



TOP
VIEW



SIDE
VIEW



END
VIEW



WHITNEY